



**AI1321B**  
Black finish



**AI1321C**  
Bright finish



**AI1321CS**  
Satin finish

#### General Description

- Toilet roll holder without cover, with double wall fixation, made of AISI 304 stainless steel, from Mediclinics' Aura series.
- With an up-to-date, modern and functional design, this toilet roll holder is ideal for both private and public-use bathrooms, in places such as hotels, bars, restaurants, offices, etc.
- The supporting axis for the paper roll has a stopper to prevent the roll from falling off.
- Appropriate for household toilet rolls.
- It has a hidden wall mounting system.
- Includes stainless steel hardware for installation on brick walls.

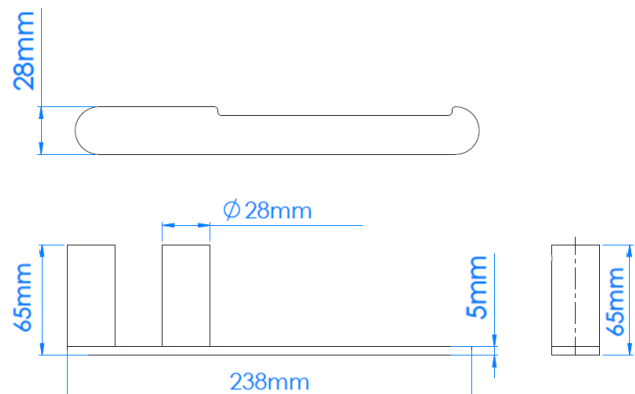
#### Components and materials

- **AI1311B:** toilet roll holder made of AISI 304 stainless steel black finish.
- **AI1311C:** toilet roll holder made of AISI 304 stainless steel bright finish.
- **AI1311CS:** toilet roll holder made of AISI 304 stainless steel satin finish.
- **ROLL AXIS:** made of 5 mm thick AISI 304 stainless steel sheet.
- **WALL BRACKETS:** two units, made with AISI 304 stainless steel cylindrical tube of  $\varnothing 28\text{mm}$  and 1.2mm thick. Attached to the bar by means of a threaded stud and nut.
- **WALL ANCHORS:** two units, made of AISI 304 stainless steel tube of  $\varnothing 22\text{mm}$  and 1.0mm thick. Attached to the wall bracket by means of a screw. It has two oval holes (one vertical and one horizontal) to facilitate wall mounting. They always remain hidden from the user's view.

#### Technical Specifications

<b>Dimensions</b>	238 x 28 x 65 mm
<b>Roll axis thickness</b>	5 mm
<b>Wall bracket diameter</b>	28 mm
<b>Wall bracket thickness</b>	1.2 mm
<b>Net weight</b>	400 g

#### Dimensions



Dimensions:  $\pm 4\%$